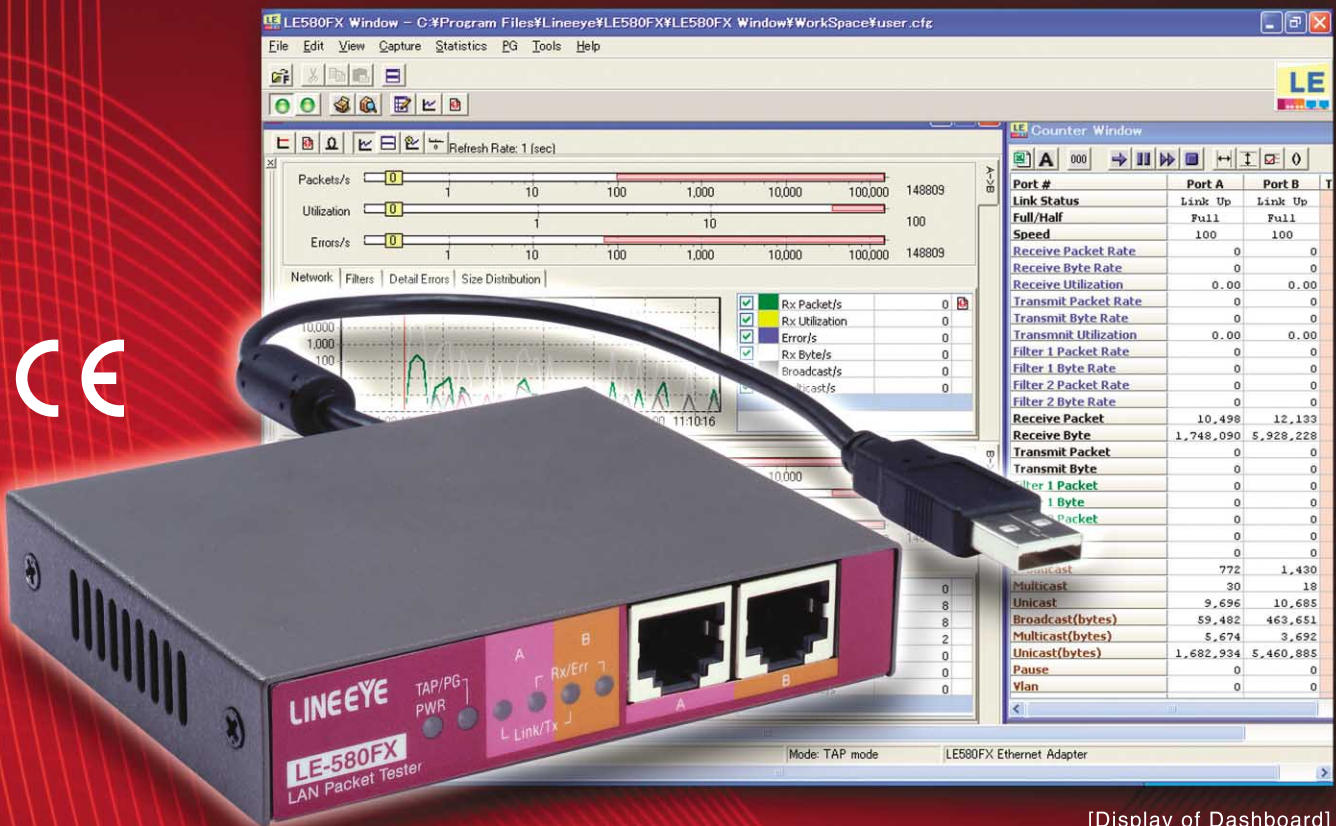


## 10Base-T / 100Base-TX LAN PACKET TESTER

# LE-580FX

Compact and light weight analyzer used by connecting to USB port of PC.



[Display of Dashboard]

### Feature

- \*Transmit 10/ 100Mbps LAN data to USB port.
- \*Generate test packets max. at 100Mbps line-speed.
- \*USB bus power.
- \*Able to use with LAN analysis software, Ethereal.

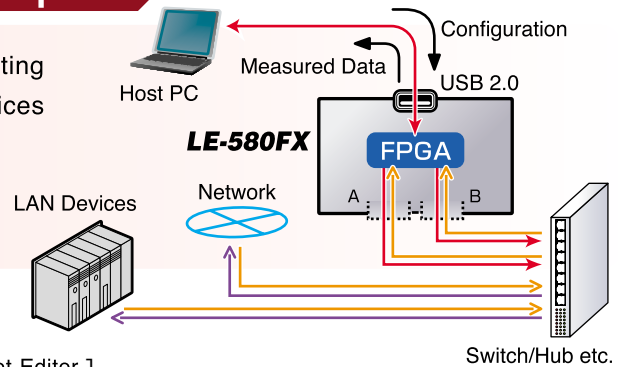
### Use For

- \*Checking LAN protocols and data between the target devices.
- \*Checking and analyzing the traffic.
- \*Providing statistic information, such as error rate etc.
- \*Generating test packets for network test.
- \*Measuring QoS, such as latency etc.
- \*Studying network communication protocols.



# Generate Packets Max. At 100Mbps Line-speed.

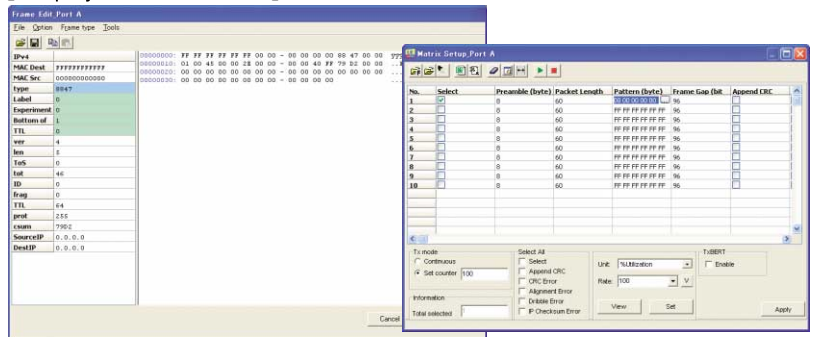
PG mode generates test packets at your specified transmitting speed. Tell you the processing ability of the network devices and how they work at the high traffic. Test packets are generated in the FPGA, so it will not be affected by the performance of PC.



## User Defined Test Packets

User can define 2-7 layer of data frames up to 128, and transmit them continuously or selected times. Add errors (CRC etc.) and VLAN/MPLS tags. Captured packets can be used as transmitting packets.

[ Display of Packet Editor ]



## Hardware Counter For Statistic

Calculate statistic information in the FPGA to know the quality of network. Display the results in trend charts and graphs for each port. LE-580FX does not only calculate numbers of data, but also calculate by each error, packet size, collision type and filtering.

[ Display of Counter Window ]

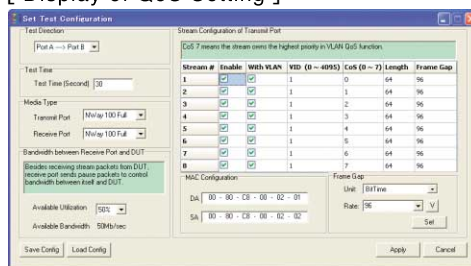
Port #	Port A	Port B	Total: 2 ports
Link Status	Link Up	Link Up	N/A
Full/Half	Full	Full	N/A
Speed	100	100	N/A
Receive Packet Rate	1.1	1.1	N/A
Receive Byte Rate	704	704	N/A
Receive Utilization	0.01	0.01	N/A
Transmit Packet Rate	0	0	N/A
Transmit Byte Rate	0	0	N/A
Transmit Utilization	0.00	0.00	N/A
Filter 1 Packet Rate	0	0	N/A
Filter 1 Byte Rate	0	0	N/A
Filter 2 Packet Rate	0	0	N/A
Filter 2 Byte Rate	0	0	N/A
Receive Packet	40,550	44,220	84,770
Receive Byte	2,595,200	3,435,566	6,030,766
Transmit Packet	0	0	0
Transmit Byte	0	0	0
Filter 1 Packet	0	0	0
Filter 1 Byte	0	0	0
Filter 2 Packet	0	0	0
Filter 2 Byte	0	0	0
Capture	272	313	585
Broadcast	23	3,529	3,552
Multicast	0	93	93
Unicast	40,527	40,621	81,148

Error Type	TCP Checksum, IP Checksum, Alignment Error, Dribble Error, CRC Error, DI Checksum Error, Sequence Miss (Series Error), BERT Error
Packet Size	Less than 64 byte, 64-127byte, 128-255byte, 256-511byte, 512-1023byte, 1024-1518byte, more than 1518byte.
Collision Type	Total collisions, numbers of transmission by 1 collision, numbers of transmission by 2 collisions, numbers of transmission by failing 16 collisions, numbers of transmission by collision happened after 512bit time.

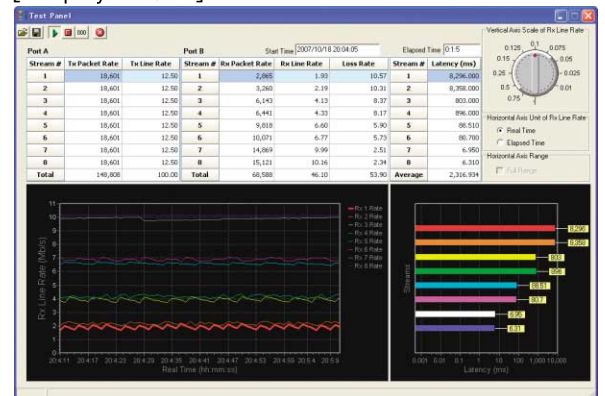
## QoS Test (VLAN Supported)

Able to have the network QoS Test by transmitting test data from PortA(B) to PortB(A). Test packet lines can be set up to 8, includes VLAN VID (0-4095) and CoS (0-7) Parameter. QoS test tells you the packet loss and latency etc.

[ Display of QoS Setting ]



[ Display of QoS ]

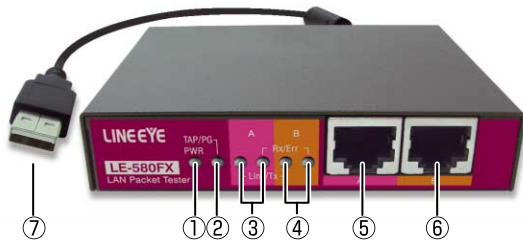


## Easy To Carry LAN Analysis Tool.

Compact and light weight analyzer is easy to carry in your bag with the notebook PC.



## Nomenclature



- ① LED for power ON/OFF
- ② LED for PG/TAP
- ③ LED for status of PortA
- ④ LED for status of PortB
- ⑤ Connector for PortA
- ⑥ Connector for PortB
- ⑦ PC connection cable (USB2.0)

## Specifications

Measurement Port	2 ports of Ethernet 10Base-T/ 100Base-TX (RJ-45 connector) Auto MDI/MDI-X supported *1
PC connection port	USB2.0 High Speed
LED	Display for power ON/OFF, TAP/PG, Link/Tx of PortA/B, Rx/Err of PortA/B,
TAP mode	<p>Capture full-duplex packet data on PortA and PortB. Data will be transmitted to USB2.0 adding the time stamp information etc.*2</p> <p>Function of LE-580FX Window (software):</p> <p>Display the captured packet data (filtering available)*3. Display the statistic data of packets*4. Save automatically to the specified file.*5 Export to EXCEL format. Save automatically in the Ethereal format(.enc)</p> <p>Use with Ethernet Analysis Software, Ethereal:</p> <p>Able to control LE-580FX by using Ethereal.*6</p>
PG mode	<p>Generate test packets max. at 100Mbps line-rate from Port A or PortB individually.</p> <p>Function of LE-580FX Window (software):</p> <p>Set up the transmission type (10/100M, full/half duplex, Auto), transmitting rate, flow control ON/OFF, transmission continuously or selected times (max. 65535), 2 to 7 layer (max. 128 frames *7, able to use captured data as transmitting data, select VLAN/MPLS). Add errors (CRC error, Alignment error, Dribble error, IP Checksum error)</p> <p>Function of LE-580FX QoS (software):</p> <p>Transmit test frames (max. 8 frame lines) from PortA(B) to PortB(A). Set up the test time (5-3600s), VLAN tags, line-rate for transmission, bandwidth by pause packets. Measure received line rate, frame loss rate and latency time. Provide trend time chart (color edit available). Display statistic data. Save measured data.</p>
NIC mode	Use PortA or PortB as NIC (Network Interface Card)
Temperature	0 to 40°C (operation), -10 to 50°C(storage)
Humidity	Below 85%RH (no condensation)
Power	USB bus power (max.3W)*8
Dimension and Weight	95(W)x77(D)x20(H)mm, 210g
CE	CE approval (EMI: Class A)
Environment	PC-PC/AT compatible with USB2.0 port. Pentium 4 1.6GHz or more. Memory 256MB or more. HDD capacity 1G or more.
OS	Windows® 2000/XP
Accessories	Analyzer, Utility CD, USB 2way cable, manuals, warranty.

\*1. Automatically distinguish between cross cable and straight cable. \*2. Time stamp starts after receiving the previous frame. (unit:1us, max:57 minutes)  
 \*3. LE-580FX captures max. 64-1536 byte of packets in TAP mode includes CRC. (48-2032 byte in PG mode) \*4. Statistic data will not be affected by the capacity of PC. \*5. Able to capture max. at 90Mbps in half duplex and 120Mbps in full duplex without any data loss. However, it will be affected by the capacity of PC or USB. LE-580FX Window captures max. 500,000 frames continuously. With different software, it will be different. \*6. LINEEYE will not support any issue about Ethereal. \*7. LE-580FX Window transmits packets max. at 2004 byte, includes CRC. \*8. Use 2way cable if you have power shortage. \*9. It is recommended to have more capacity in HDD to capture large amount of packets.



Read the instruction manual provided with the product carefully before use and be sure to operate the product according to the information given in the instruction manual. Using the product in ways not guaranteed in the manual, connecting the product to systems not within the specified ranges, or the modification of the product can cause trouble and damage. LINEEYE CO., LTD. will assume no responsibility whatsoever for trouble or damage arising because of unauthorized ways of use.

●All brand names and product names mentioned in this catalog are trademarks or registered trademarks of respective companies. ●Specifications and designs of products listed in this catalog are as of November 2007, and are subject to change without notice for improvement. ●Colors of actual products may differ slightly from those listed due to printing condition. ●This catalog may not be reprinted or duplicated, in part or in whole.  
 ©2007 by LINE EYE CO., LTD.

# LINEEYE CO., LTD.

■ Head Office / Sales Office  
 Marufuku Bldg. 5F 39-1 Karahashi Nishihiragaki-cho Minami-ku Kyoto 601-8468 Japan  
 Phone: 81-75-693-0161 Fax: 81-75-693-0163

■ Technical Center  
 8-49 Koen-cho, Nagahama, Shiga 526-0065 Japan  
 Phone: 81-749-63-7762 Fax: 81-749-63-4489

●URL <http://www.lineeye.com> ●E-mail : [info@lineeye.co.jp](mailto:info@lineeye.co.jp)

※LINEEYE CO., LTD. is a venture company founded by electronic equipment development members of the former Sekisui Chemical Co., LTD. with investment from the Sekisui Venture Fund.



Printed with environment-friendly soy ink on used paper.

Printed on 100% recycled paper.

L-07512E/LE©

Printed in Japan